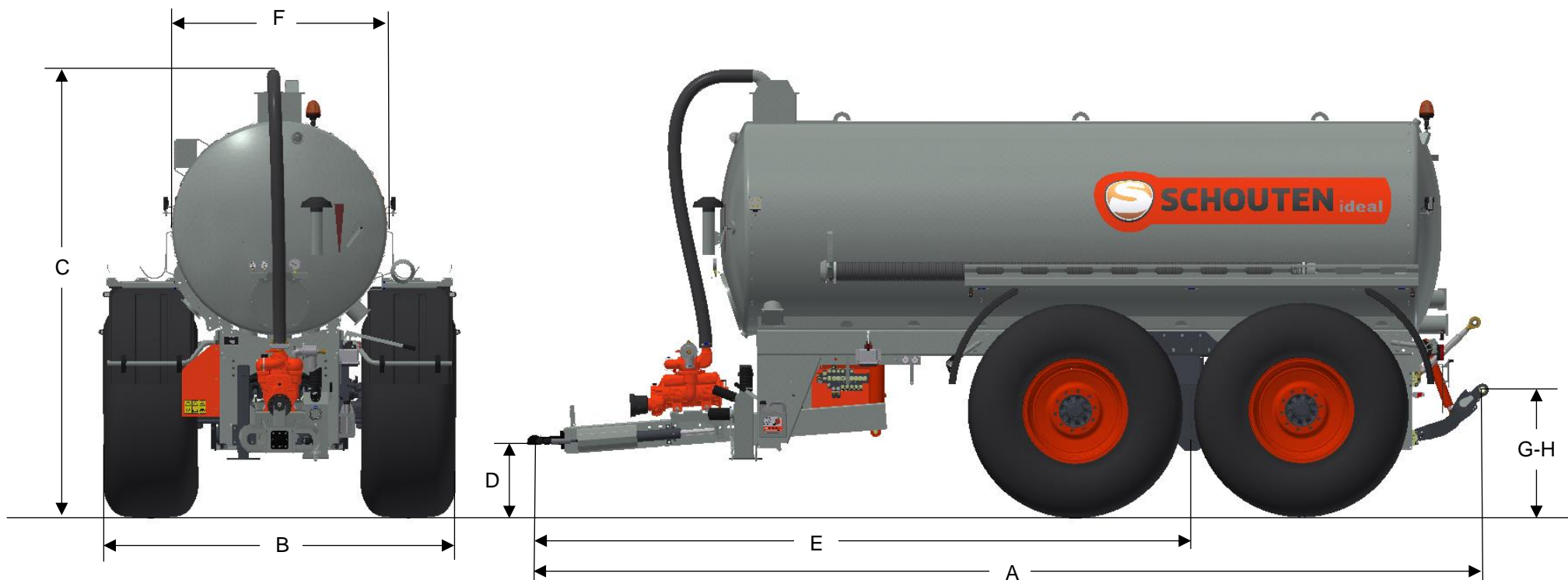


# IDEAL VTS140TA



## DIMENSIONS

|   |              |            |   |                         |         |
|---|--------------|------------|---|-------------------------|---------|
| A | LENGTH       | 8050 MM    | E | DISTANCE HITCH - TANDEM | 5560 MM |
| B | WIDTH        | 2960 MM    | F | TANK DIAMETER           | 1800 MM |
| C | HEIGHT       | 3765 MM    | G | LIFT HEIGHT MIN.        | 370 MM  |
| D | HITCH HEIGHT | 400-700 MM | H | LIFT HEIGHT MAX.        | 1070 MM |

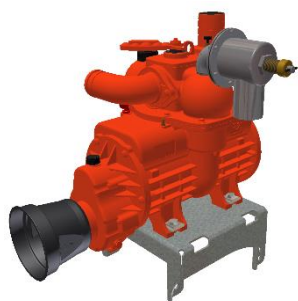
# IDEAL VTS140TA

## MACHINE INFORMATION

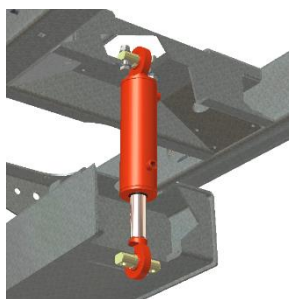
|                          |               |
|--------------------------|---------------|
| TYPE                     | VTS140TA      |
| WEIGHT                   | 7.780 KG      |
| TANK DIMENSIONS          | Ø1800X5500 MM |
| TANK VOLUME              | 14.000 LTR    |
| LEVEL INDICATOR          | FLOAT POINTER |
| UNDERCARRIAGE            | TANDEM-AXLE   |
| TYPE OF TANDEM           | BPW BRAKED    |
| CARRYING CAPACITY TANDEM | 24.000 KG     |
| TIRES                    | 750/60R30.5   |

|                        |                      |
|------------------------|----------------------|
| SUPPORT LEG            | HYDR. DW             |
| VACUUM PUMP            | B&P MEC13500         |
| CAPACITY VACUUM PUMP   | 13.500 L/MIN         |
| VACUUM PUMP DRIVE      | PTO 540/1000RPM      |
| MOISTURE TRAP CAPACITY | 15.500 L/MIN         |
| LIFT POSSIBILITIES     | GRASSLAND/BLACK SOIL |
| LIFT CAPACITY          | 3.500 KG             |
| LIFT SYSTEM            | 4-POINTS CAT III     |

## OPTIONS



B&P MEC13500



HYDR. DRAWBAR SUSPENSION



TURBO-FILLER 8-6



DOCKING FILLING ARM 8"



FILLING ARM 10" TURBO